

WA/WAS Series Ball Valves

INTEGRA-SEAL®

WA Series — No Access Fitting

WAS Series — Includes Access Fitting

A robotically welded body joint. Full-size ports for unrestricted flow. These ball valves employ the latest robotic welding technology. Every continuous welded body joint is 100% factory tested to ensure positively leak-free performance. Dual Teflon® ball seals surround a polished brass or carbon steel ball at each end. A secondary seal becomes effective if foreign material scores the primary seal — even in extremely unfavorable conditions such as compressor burnout — a Superior exclusive!

WA/WAS Series Ball Valves are constructed using a forged brass body with copper tube extensions on all sizes. Mechanical internal forged stops ensure positive open or closed positions — another Superior exclusive. Full open to full close with ¼ turn.

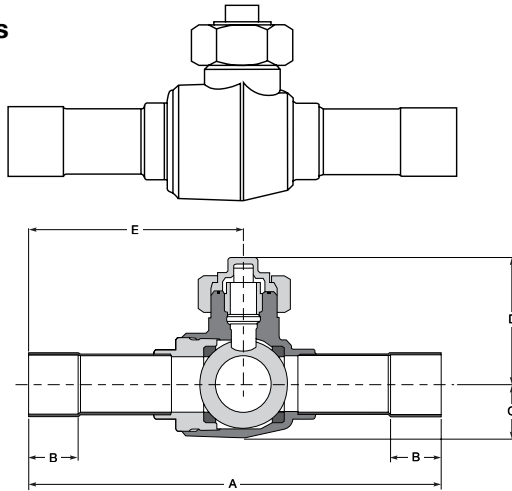
All sizes incorporate a dual stem seal design utilizing Teflon packing compressed by an internal packing nut forming the primary seal. The unique seal cap design permits valve operation without removal of the seal cap and uses

Teflon gaskets to provide a secondary seal — a third Superior exclusive! There are no synthetic O-rings. Ball internal relief port design ensures shut-off in either direction of flow — even during evacuation of the system. Full flow ports in all sizes ⅜" through 3⅛". These ball valves are non-directional flow valves and may be installed in any position.

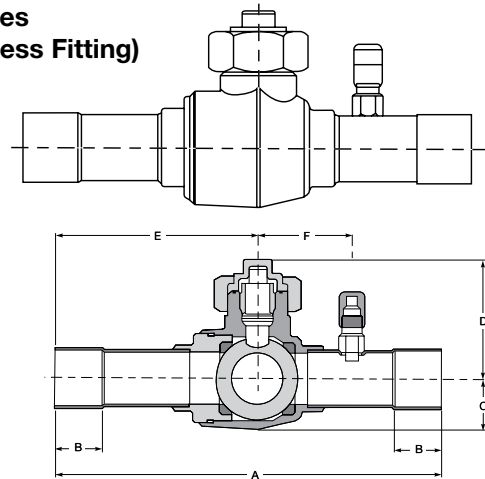
Teflon is a registered trademark of Dupont.

** Metric sizes available upon request.*

WA Series



WAS Series (with Access Fitting)



Without Access Fitting	IBCA Number	With Access Fitting	IBCA Number	Connection (ODS)	Ball Port Diameter	Weight (lbs.) WA	Weight (lbs.) WAS
586WA-4ST	23767	—	—	¼	0.50	0.7	N/A
586WA-6ST	58651	586WAS-6ST	59726	⅜	0.50	0.7	0.77
586WA-8ST	58652	586WAS-8ST	59727	½	0.50	0.7	0.77
586WA-10ST	58564	586WAS-10ST	59728	⅝	0.50	0.7	0.77
587WA-12ST	58659	—	—	¾	0.75	1.0	N/A
587WA-14ST	58584	587WAS-14ST	59729	7⁄8	0.75	1.0	1.10
591WA-11ST	58756	591WAS-11ST	59730	1 ¼	1.00	2.2	2.42
592WA-13ST	58790	592WAS-13ST	60072	1 ½	1.50	3.8	4.18
593WA-15ST	58793	593WAS-15ST	59731	1 ¾	1.50	3.8	4.18
594WA-21ST	58865	594WAS-21ST	59732	2 ¼	2.01	8.0	8.80
594WA-25ST**	58864	—	—	2 ½	2.01	11.0	N/A
594WA-31ST**	58863	—	—	3 ¼	2.01	11.0	N/A
595WA-25ST	60235	595WAS-25ST	60316	2 ½	2.44	15.0	15.80
596WA-31ST	59143	596WAS-31ST	59733	3 ¼	2.91	25.0	26.00
596WA-35ST**	59146	—	—	3 ½	2.91	26.0	N/A
596WA-41ST**	59150	—	—	4 ¼	2.91	27.0	N/A

** Reduced ports.



Seal Cap

Exclusive Seal Cap design permits operation of valve without removal. Markings on cap top designate at-a-glance open or closed ball position.

WA Series — No Access Fitting

WAS Series — Includes Access Fitting

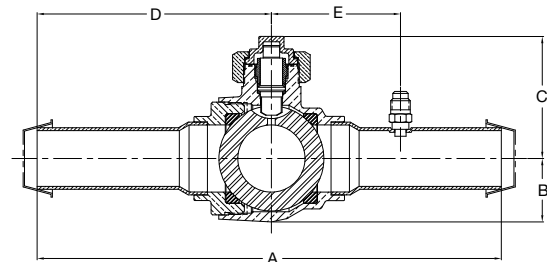
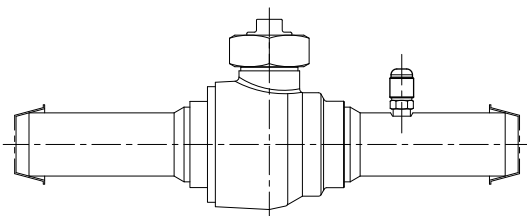
MST Series — Male Soldered Tube

- Full refrigeration service temperature range of -40° F to +325° F (-40° C to +149° C).
 - Design working pressure: 700 PSIG.
 - UL® and cUL Listed, File No. SA3462 (N), except for metric sizes and oxygen.
 - WAS Series includes access fitting, strategically located on tube extension.
 - No synthetic O-ring seals. Double seal protection provides a Superior stem design.
 - Polished brass or carbon steel ball.
 - Forged brass body and seal cap.
 - Seal cap design permits valve operation without removal of seal cap.
 - For use with CO₂, CFC, HFC and HCFC refrigerants listed in CAN/CSA B52 and ANSI/ASHRAE 15 Section 9.2.
 - Spare Parts List on pp. 36–37.
- * Metric sizes available upon request.*

Without Access Fitting	With Access Fitting	Dimensions (Inches)						Maximum Width	C _v
		A	B	C	D	E	F		
586WA-4ST	—	6.50	0.31	0.56	1.80	3.44	N/A	1.38	N/A
586WA-6ST	586WAS-6ST	6.50	0.31	0.56	1.80	3.44	1.75	1.38	3.60
586WA-8ST	586WAS-8ST	6.50	0.38	0.56	1.80	3.44	1.75	1.38	7.40
586WA-10ST	586WAS-10ST	6.50	0.50	0.56	1.80	3.44	1.75	1.38	14.60
587WA-12ST	—	6.56	0.63	0.73	1.96	3.46	N/A	1.88	22.30
587WA-14ST	587WAS-14ST	6.56	0.75	0.73	1.96	3.46	1.75	1.88	30.00
591WA-11ST	591WAS-11ST	7.69	0.94	1.03	2.37	4.01	1.75	2.31	62.00
592WA-13ST	592WAS-13ST	8.88	1.00	1.42	2.73	4.49	2.21	3.19	110.00
593WA-15ST	593WAS-15ST	9.13	1.09	1.42	2.73	4.62	2.21	3.19	135.00
594WA-21ST	594WAS-21ST	9.88	1.34	1.85	3.11	5.07	2.57	4.06	270.00
594WA-25ST**	—	12.88	1.44	1.85	3.11	6.57	N/A	4.06	250.00
594WA-31ST**	—	13.75	1.63	1.85	3.11	7.01	N/A	4.06	240.00
595WA-25ST	595WAS-25ST	12.92	1.50	2.30	3.95	6.52	3.35	4.65	340.00
596WA-31ST	596WAS-31ST	16.31	1.69	2.75	4.35	8.32	3.63	5.63	480.00
596WA-35ST**	—	16.03	1.94	2.75	4.35	8.32	N/A	5.63	455.00
596WA-41ST**	—	16.03	1.94	2.75	4.35	8.32	N/A	5.63	430.00

** Reduced ports.

MST Series — Male Soldered Tube



Part Number	IBCA Number	Male Connection (ODS)	Ball Port Diameter	Weight (lbs.)	Dimensions (Inches)					Maximum Width	C _v
					A	B	C	D	E		
586WAS-10MST	30172	3/8"	0.50	0.76	8.00	0.56	1.80	4.19	1.68	1.38	14.60
587WAS-14MST	30173	1/2"	0.75	1.08	8.00	0.73	1.96	4.18	1.83	1.88	30.00
591WAS-11MST	30177	1 1/8"	1.00	2.49	12.47	1.03	2.37	6.41	2.31	2.31	62.00
592WAS-13MST	30175	1 1/4"	1.50	3.91	10.36	1.42	2.73	5.23	2.88	2.88	110.00
593WAS-15MST	30176	1 3/8"	1.50	4.10	10.14	1.42	2.73	5.12	3.02	3.02	135.00
594WAS-21MST	30157	2 1/4"	2.01	7.94	12.25	1.85	3.11	6.25	3.50	3.50	270.00



SWD0215 ©2015 Sherwood Valve, LLC



www.sherwoodvalve.com • 888.508.2583